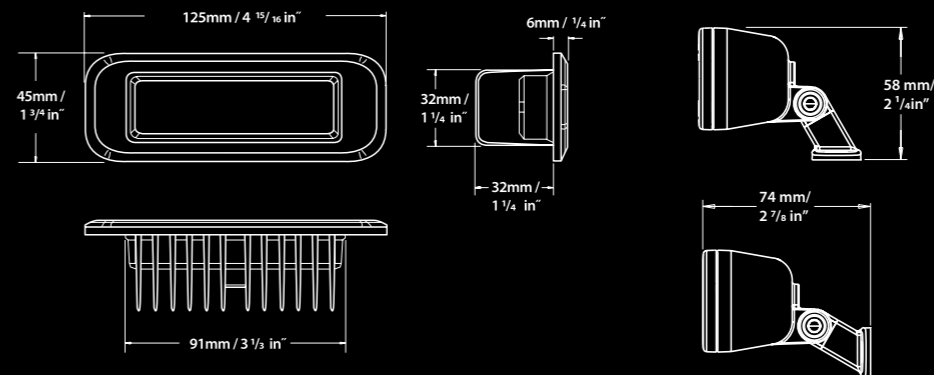


Spreader Light 4

The new SL4 comes in two versions; Flush Mount and Bracket Mount allowing functionality and smooth styling for a wide range of applications.

New for 2013 the SL4 is available in both flush mount and bracket mount versions in either white or S/S bezel. With the high demand of our SL9 we chose to give more options and now have the SL4 and SL12 in the new configurations. Both versions of the light are easy to install, offering a fantastic output and a neat appearance. Manufactured in marine grade aluminium and powder coated with a stainless steel or white bezel.



Technical Specifications

- Cable length 2 metres (6 feet)
- Current draw less than 1.4 amps @ 12 volt dc
- Reverse polarity protected
- Low cost install
- Available in 8000k White
- Long life, high output
- 4 LED light engine
- Can accept 12 or 24 volt dc
- White or S/S bezel
- Recommended for any vessel where quality deck lighting is essential
- Powder coated aluminium housing with scratch resistant polymer lens
- Very wide beam to illuminate large areas
- 2 year warranty

Brilliant White

- Color temperature 8000 degrees Kelvin
- Fixture Lumens : 650 lm

